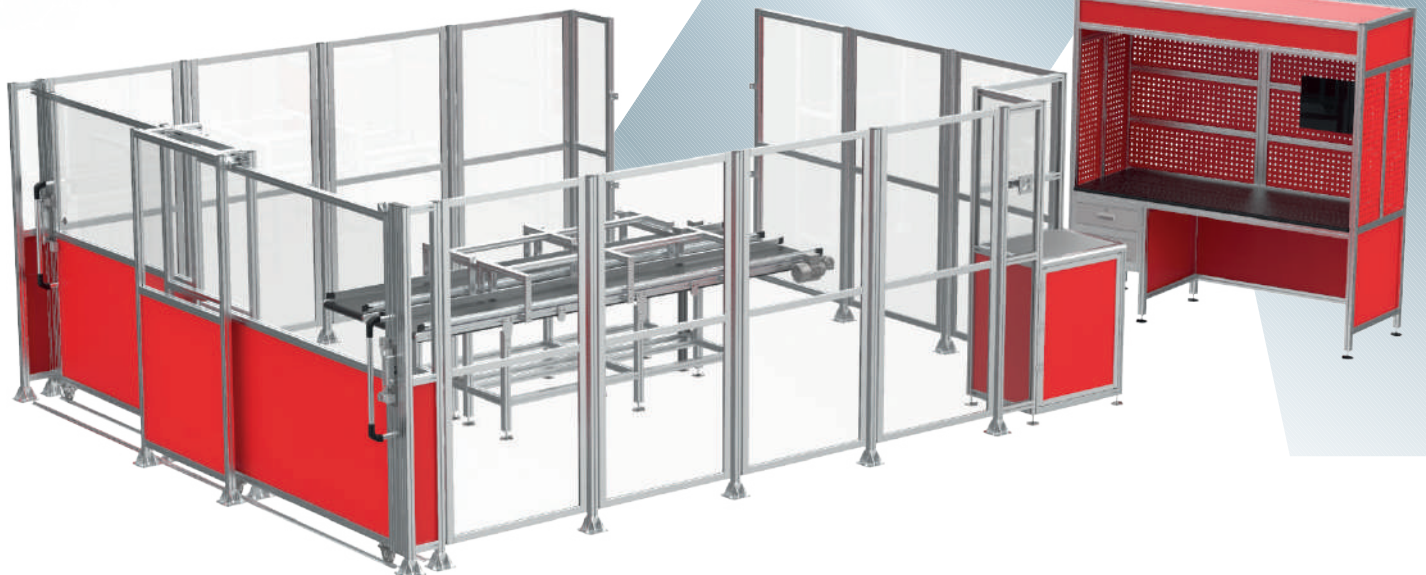
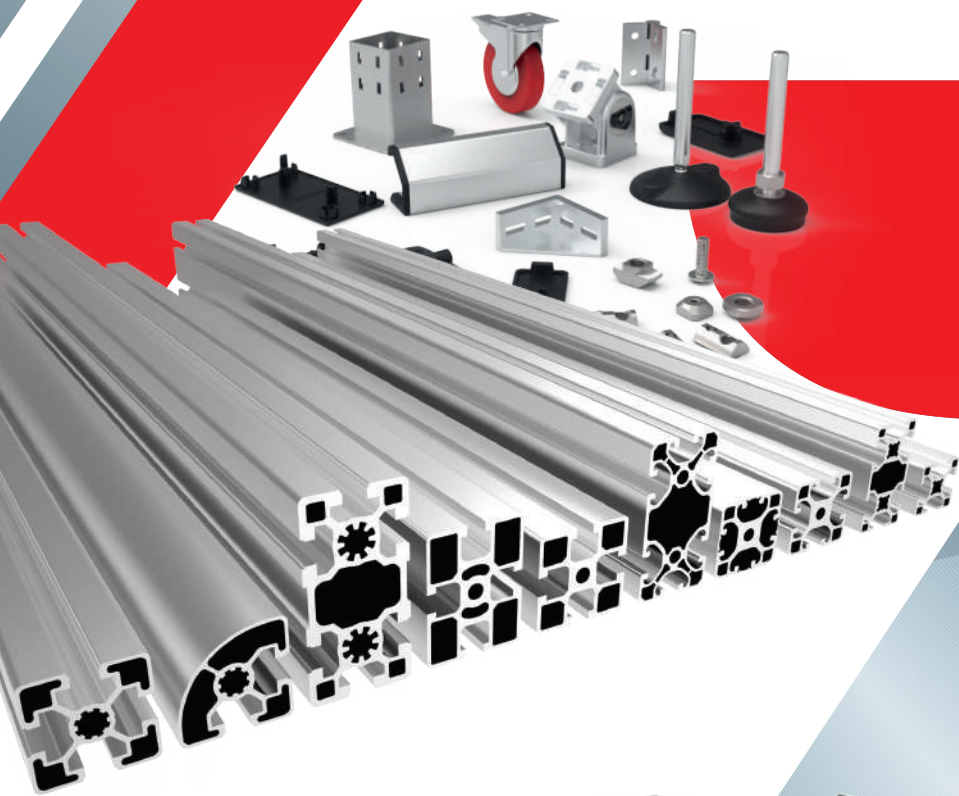




ALUMINIUM PROFILES AND ACCESSORIES

CONSTRUCTION OF STRUCTURES AND CONVEYORS





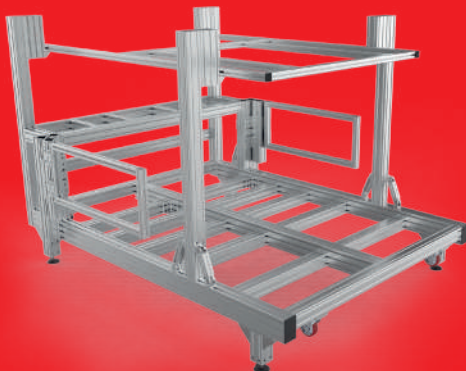
ALEA SISTEMI is a group of professionals who use competences and skills to satisfy customer's needs. It wants to create a productive synergy for all the parts involved in the project. Available services to customers are:

- 1 - Sell of profiles and accessories.
- 2 - Productive department.



1 Sell of profiles and accessories

A wide group of extruded aluminium profiles and a complete series of accessories are produced. These are stocked in Alea Sistemi warehouses. This allows customers to choose the most suitable product to their needs, through an immediate delivery.



2 Productive department

It is composed by commercial office, technical office, production and warehouse. These elements deal with the design and the production of industrial structures, working stations, machine safety guards, conveyors, rollers, linear and sliding systems.

ALEA SISTEMI is able to follow and to support the client from the design stage in order to define and to create turnkey products according to specifications, with customization options. This is the true distinctive feature of the company.



Construction profiles
4-9



Cover caps
10-11



Fixings
12-13



Connectors
14-15



Supports
16-17



Complements
18-21



Lean manufacturing
22-23



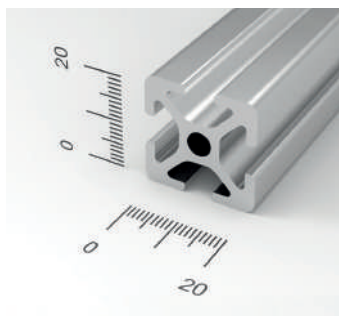
Conveyor belts
24-29



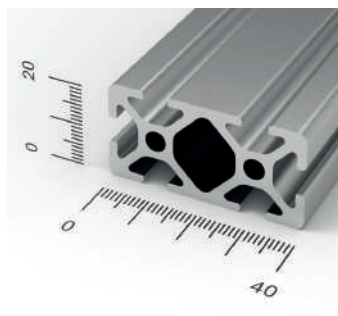
Linear systems
30-31



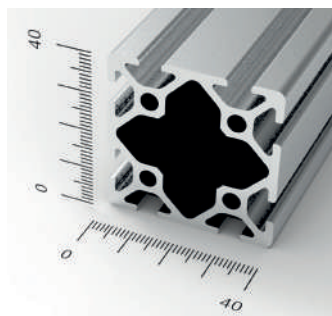
Profile series 20 slot 5



PM52020		20x20	
Cod. caps	TM52020	Color	■
Cod. caps	-	Color	■

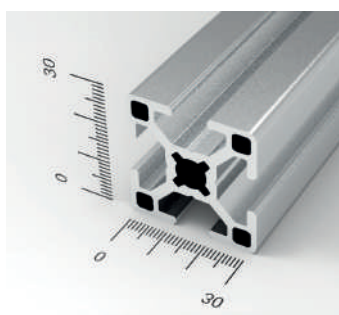


PM52040		20x40	
Cod. caps	TM52040	Color	■
Cod. caps	-	Color	■

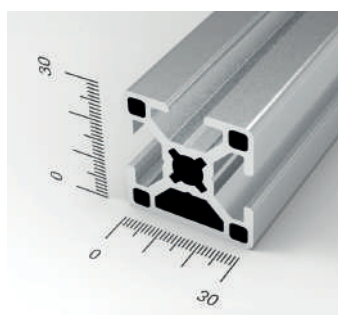


PM54040		40x40	
Cod. caps	TM54040	Color	■
Cod. caps	-	Color	■

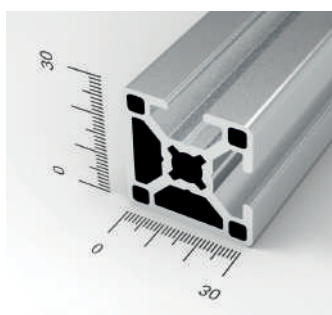
Profile series 30 slot 8



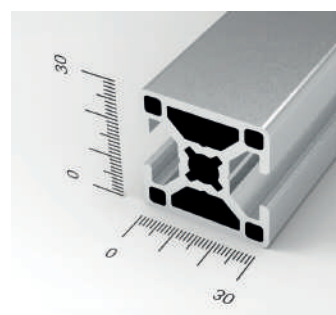
PM83030		30x30	
Cod. caps	TM83030	Color	■
Cod. caps	-	Color	■



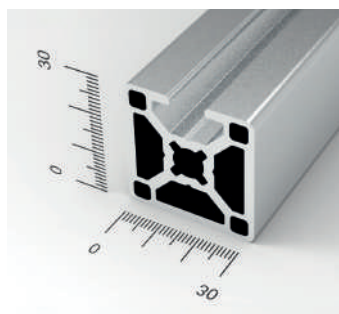
PM83030123		30x30	
Cod. caps	TM83030	Color	■
Cod. caps	-	Color	■



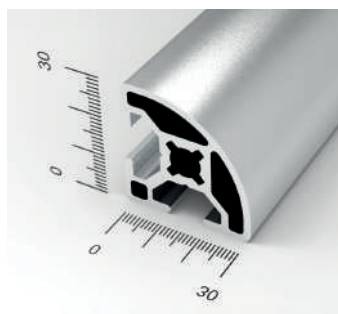
PM8303012		30x30	
Cod. caps	TM83030	Color	■
Cod. caps	-	Color	■



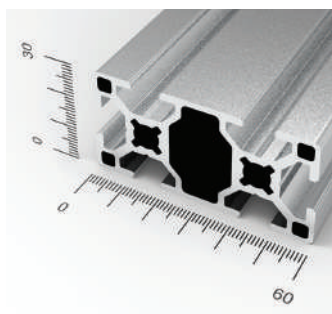
PM8303013		30x30	
Cod. caps	TM83030	Color	■
Cod. caps	-	Color	■



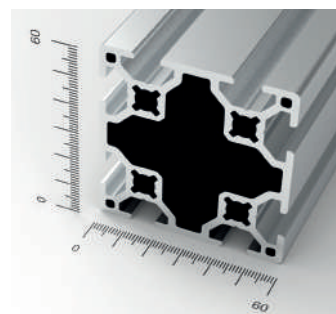
PM830301		30x30	
Cod. caps	TM83030	Color	■
Cod. caps	-	Color	■



PM83030R23		30x30	
Cod. caps	TM83030R23	Color	■
Cod. caps	-	Color	■

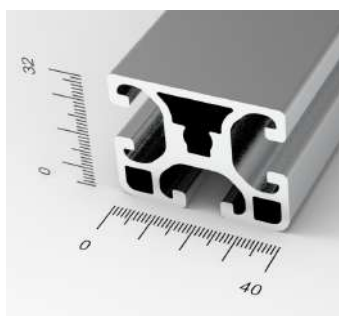


PM83060		30x60	
Cod. caps	TM83060	Color	■
Cod. caps	-	Color	■

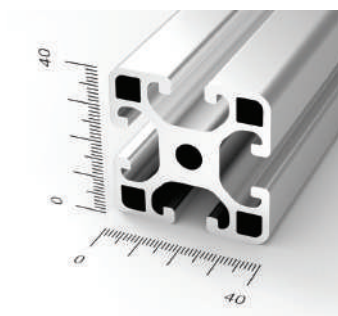


PM86060		60x60	
Cod. caps	TM83060 x2	Color	■
Cod. caps	-	Color	■

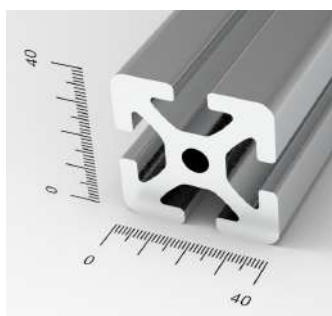
Profile series 40 slot 8



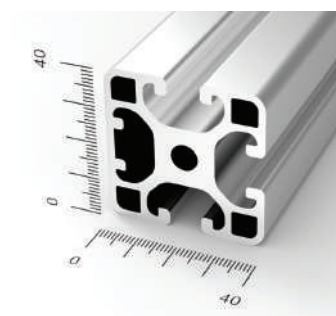
PM83240		32x40	
Cod. caps	-	Color	■
Cod. caps	-	Color	■



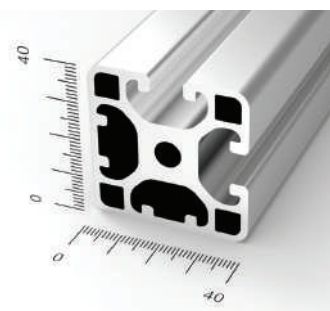
PM84040		40x40	
Cod. caps	TM84040	Color	■
Cod. caps	TM84040G	Color	■



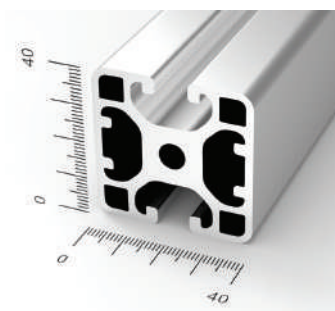
PM84040H		40x40	
Cod. caps	TM84040	Color	■
Cod. caps	TM84040G	Color	■



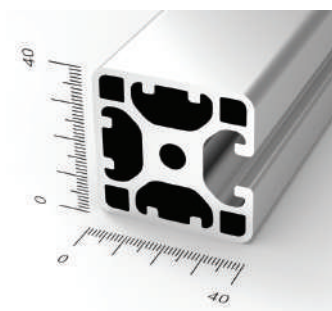
PM84040123		40x40	
Cod. caps	TM84040	Color	■
Cod. caps	TM84040G	Color	■



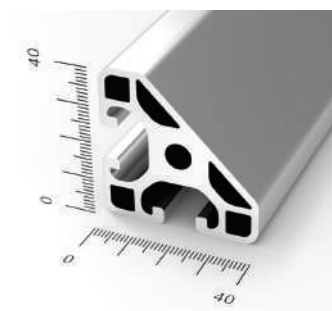
PM8404012		40x40
Cod. caps	TM84040	Color <input type="checkbox"/>
Cod. caps	TM84040G	Color <input type="checkbox"/>



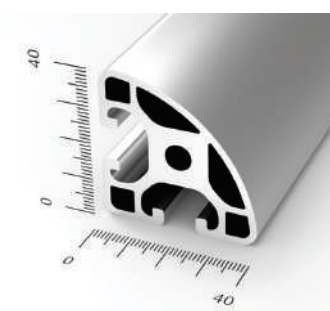
PM8404013		40x40
Cod. caps	TM84040	Color <input type="checkbox"/>
Cod. caps	TM84040G	Color <input type="checkbox"/>



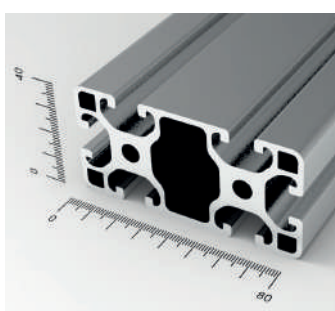
PM840401		40x40
Cod. caps	TM84040	Color <input type="checkbox"/>
Cod. caps	TM84040G	Color <input type="checkbox"/>



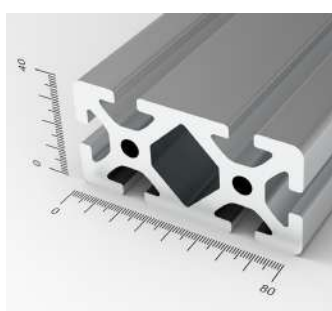
PM84040A23		40x40
Cod. caps	TM84040A23	Color <input type="checkbox"/>
Cod. caps	-	Color <input type="checkbox"/>



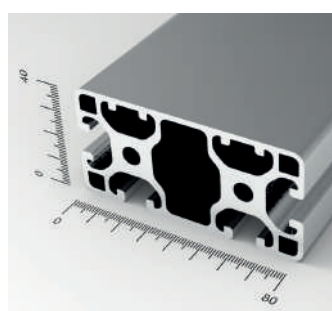
PM84040R23		40x40
Cod. caps	TM84040R23	Color <input type="checkbox"/>
Cod. caps	-	Color <input type="checkbox"/>



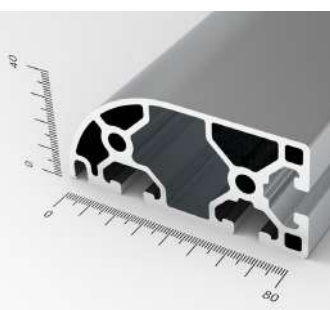
PM84080		40x80
Cod. caps	TM84080	Color <input type="checkbox"/>
Cod. caps	TM84080G	Color <input type="checkbox"/>



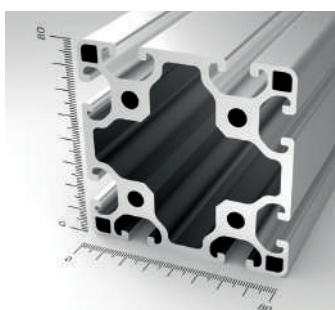
PM84080H		40x80
Cod. caps	TM84080	Color <input type="checkbox"/>
Cod. caps	TM84080G	Color <input type="checkbox"/>



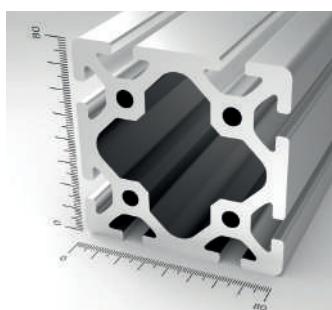
PM84080123		40x80
Cod. caps	TM84080	Color <input type="checkbox"/>
Cod. caps	TM84080G	Color <input type="checkbox"/>



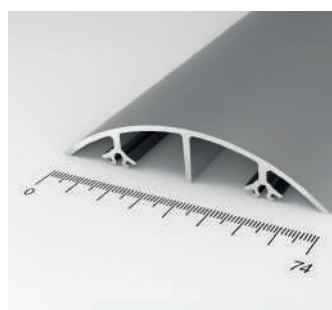
PM84080R23		40x80
Cod. caps	-	Color <input type="checkbox"/>
Cod. caps	-	Color <input type="checkbox"/>



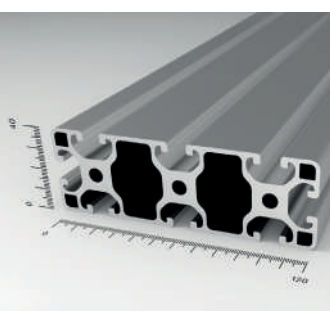
PM88080L		80x80
Cod. caps	TM88080	Color <input type="checkbox"/>
Cod. caps	TM88080G	Color <input type="checkbox"/>



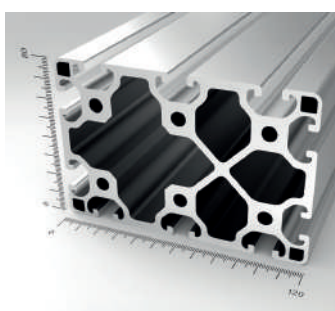
PM88080		80x80
Cod. caps	TM88080	Color <input type="checkbox"/>
Cod. caps	TM88080G	Color <input type="checkbox"/>



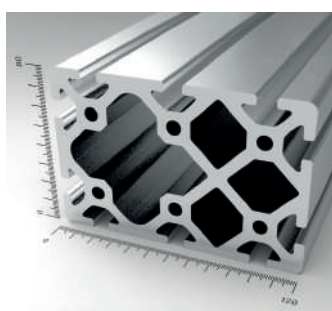
PMCA80AP*		L=74
Cod. caps	TMCA80AP	Color <input type="checkbox"/>
Cod. caps	-	Color <input type="checkbox"/>



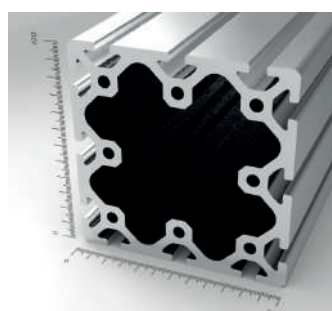
PM840120		40x120
Cod. caps	TM840120	Color <input type="checkbox"/>
Cod. caps	-	Color <input type="checkbox"/>



PM880120		80x120
Cod. caps	TM880120	Color <input type="checkbox"/>
Cod. caps	-	Color <input type="checkbox"/>

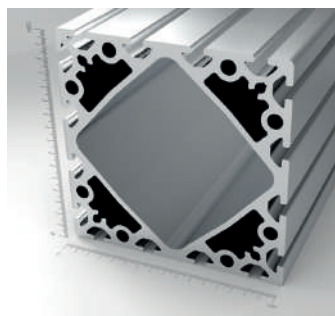
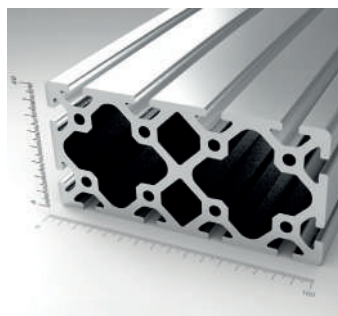
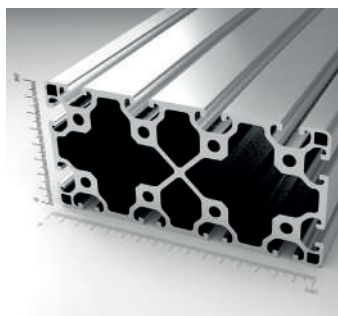


PM880120H		80x120
Cod. caps	TM880120	Color <input type="checkbox"/>
Cod. caps	-	Color <input type="checkbox"/>



PM8120120		120x120
Cod. caps	TM8120120	Color <input type="checkbox"/>
Cod. caps	-	Color <input type="checkbox"/>

Profile series 40 slot 8

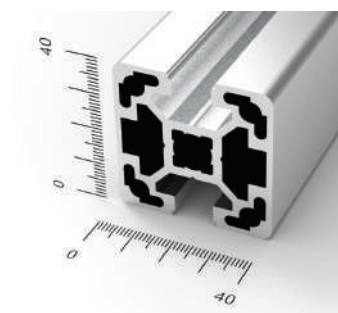
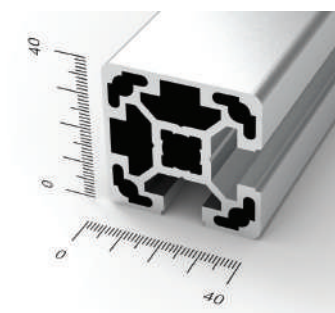
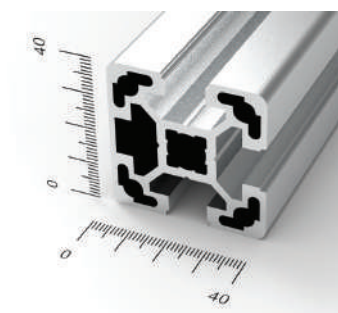
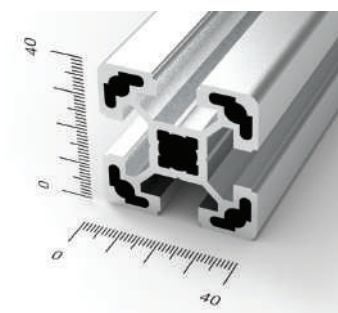


PM880160 80x160		
Cod. caps	TM880160	Color
Cod. caps	-	Color

PM880160H 80x160		
Cod. caps	TM880160	Color
Cod. caps	-	Color

PM8160160 160x160		
Cod. caps	-	Color
Cod. caps	-	Color

Profile series 40 slot 10

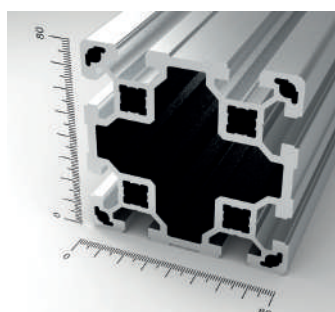
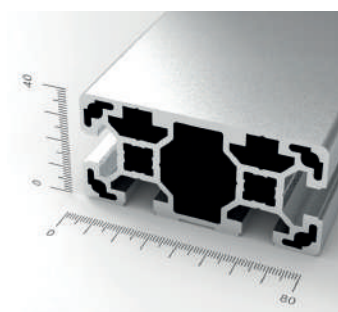
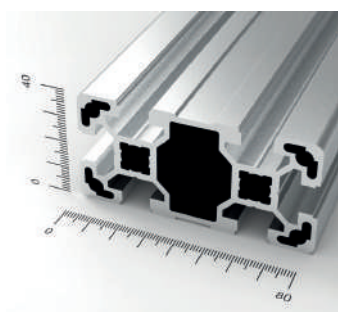


PM104040L 40x40		
Cod. caps	TM104040	Color
Cod. caps	-	Color

PM104040123 40x40		
Cod. caps	TM104040	Color
Cod. caps	-	Color

PM10404012 40x40		
Cod. caps	TM104040	Color
Cod. caps	-	Color

PM10404013 40x40		
Cod. caps	TM104040	Color
Cod. caps	-	Color

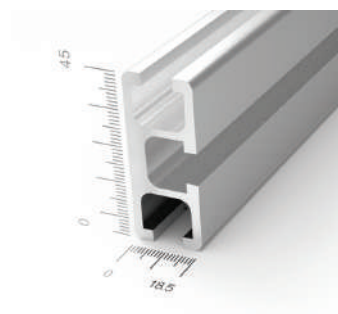
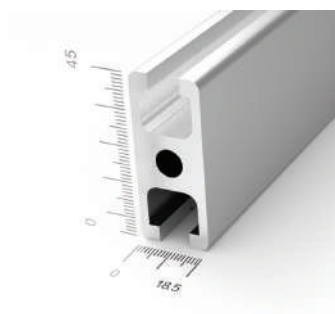
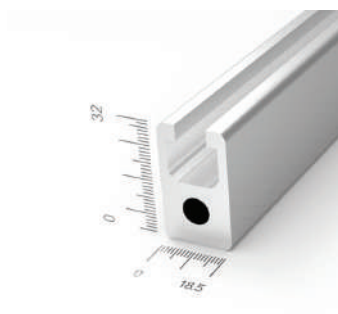
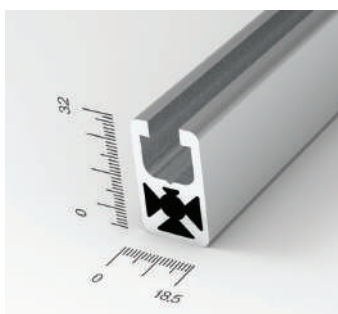


PM104080L 40x80		
Cod. caps	TM104080	Color
Cod. caps	-	Color

PM104080123 40x80		
Cod. caps	TM104080	Color
Cod. caps	-	Color

PM108080L 80x80		
Cod. caps	TM108080	Color
Cod. caps	-	Color

Profile series 45 slot 8

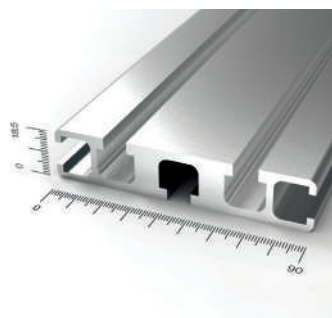


PC81832L 18,5x32		
Cod. caps	-	Color
Cod. caps	-	Color

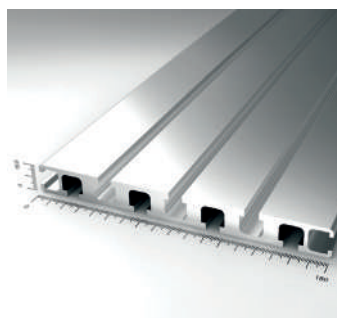
PC81832 18,5x32		
Cod. caps	TC81832	Color
Cod. caps	TC81832G	Color

PC81845 18,5x45		
Cod. caps	TC81845	Color
Cod. caps	TC81845G	Color

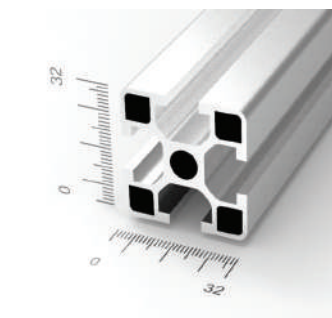
PC81845123 18,5x45		
Cod. caps	TC81845123	Color
Cod. caps	TC81845123G	Color



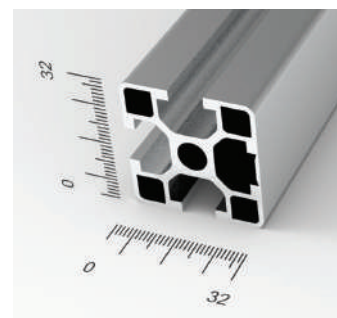
PC81890		18,5x90	
Cod. caps	TC81890	Color	■
Cod. caps	TC81890G	Color	■



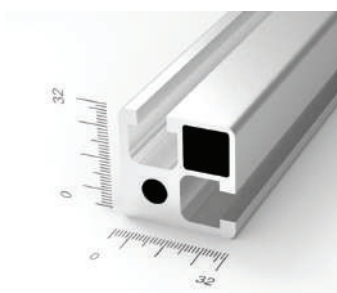
PC818180		18,5x180	
Cod. caps	TC81890 (2 PZ.)	Color	■
Cod. caps	TC81890G (2 PZ.)	Color	■



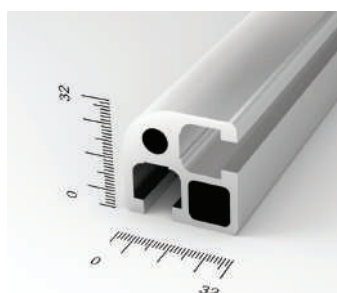
PC83232		32x32	
Cod. caps	TC83232	Color	■
Cod. caps	TC83232G	Color	■



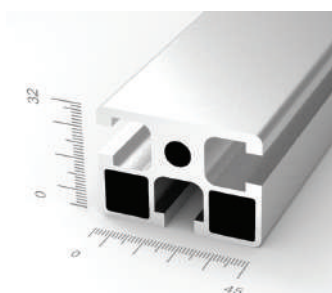
PC83232123P		32x32	
Cod. caps	TC83232	Color	■
Cod. caps	TC83232G	Color	■



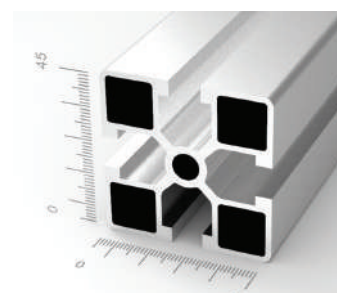
PC8323212		32x32	
Cod. caps	TC8323212	Color	■
Cod. caps	TC8323212G	Color	■



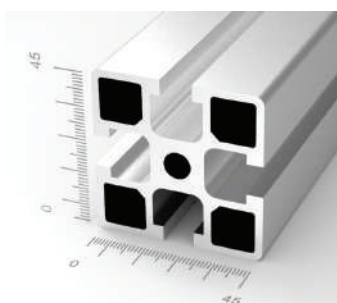
PC83232R12		32x32	
Cod. caps	TC83232R12	Color	■
Cod. caps	-	Color	■



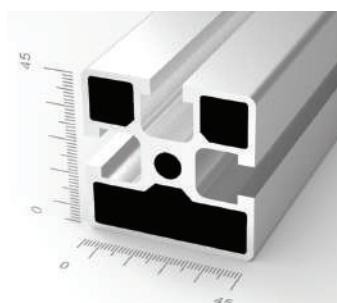
PC83245		32x45	
Cod. caps	TC83245	Color	■
Cod. caps	TC83245G	Color	■



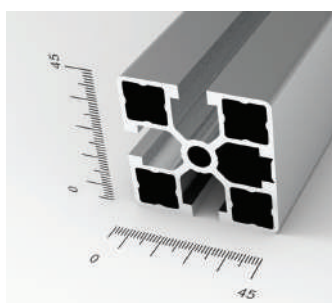
PC84545L		45x45	
Cod. caps	TC84545	Color	■
Cod. caps	TC84545G	Color	■



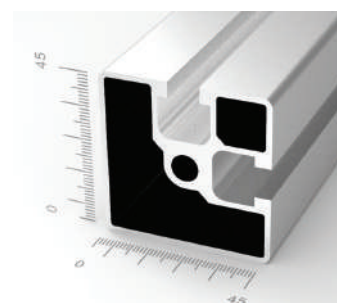
PC84545		45x45	
Cod. caps	TC84545	Color	■
Cod. caps	TC84545G	Color	■



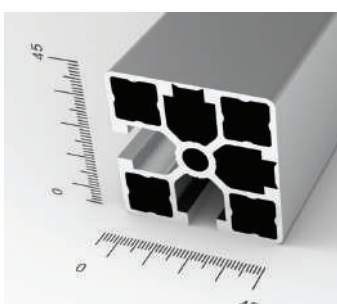
PC84545123		45x45	
Cod. caps	TC84545	Color	■
Cod. caps	TC84545G	Color	■



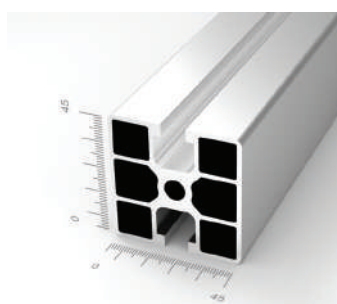
PC84545123P		45x45	
Cod. caps	TC84545	Color	■
Cod. caps	TC84545G	Color	■



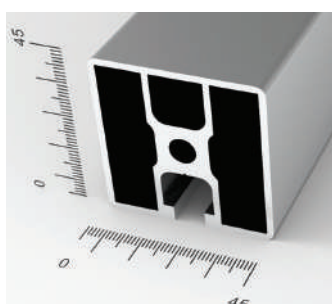
PC8454512		45x45	
Cod. caps	TC84545	Color	■
Cod. caps	TC84545G	Color	■



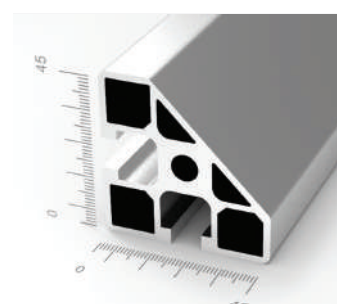
PC8454512P		45x45	
Cod. caps	TC84545	Color	■
Cod. caps	TC84545G	Color	■



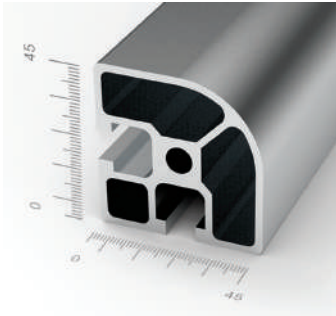
PC8454513		45x45	
Cod. caps	TC84545	Color	■
Cod. caps	TC84545G	Color	■



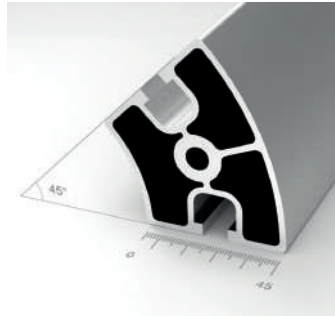
PC845451		45x45	
Cod. caps	TC84545	Color	■
Cod. caps	TC84545G	Color	■



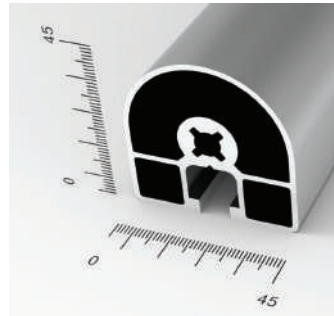
PC84545A23		45x45	
Cod. caps	TC84545A23	Color	■
Cod. caps	TC84545A23G	Color	■



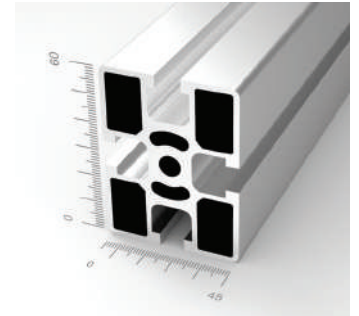
PC84545R23		45x45	
Cod. caps	TC84545R23	Color	■
Cod. caps	TC84545R23G	Color	■



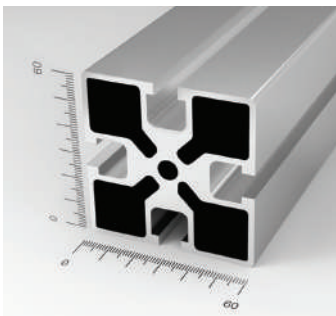
PC84545R13		45x45	
Cod. caps	TC84545R13	Color	■
Cod. caps	-	Color	■



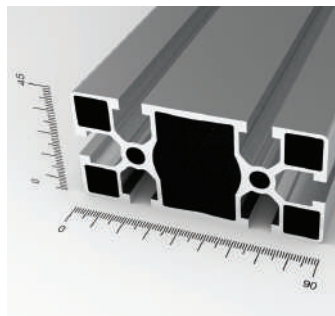
PC84545R1		45x45	
Cod. caps	TC84545R1	Color	■
Cod. caps	TC84545R1G	Color	■



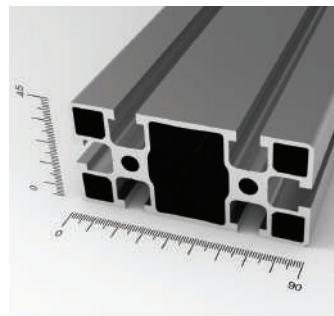
PC84560		45x60	
Cod. caps	TC84560	Color	■
Cod. caps	TC84560G	Color	■



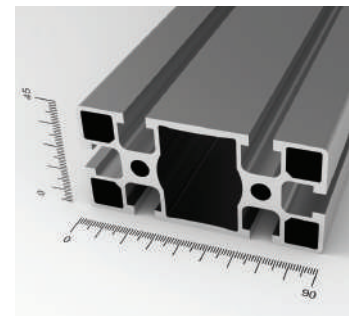
PC86060		60x60	
Cod. caps	TC86060	Color	■
Cod. caps	TC86060G	Color	■



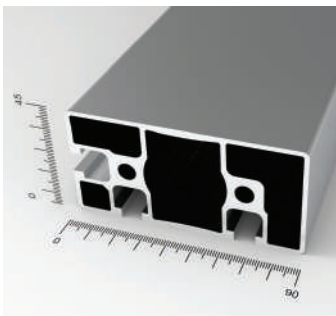
PC84590L		45x90	
Cod. caps	TC84590	Color	■
Cod. caps	TC84590G	Color	■



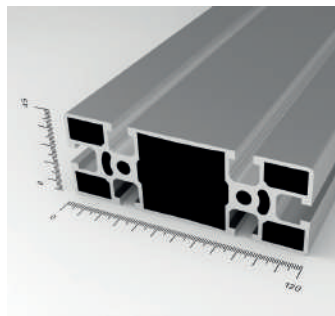
PC84590M		45x90	
Cod. caps	TC84590	Color	■
Cod. caps	TC84590G	Color	■



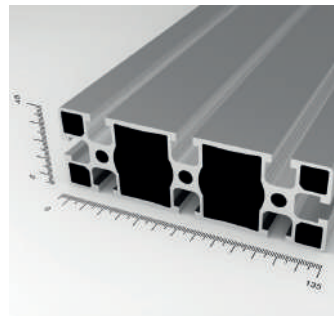
PC84590		45x90	
Cod. caps	TC84590	Color	■
Cod. caps	TC84590G	Color	■



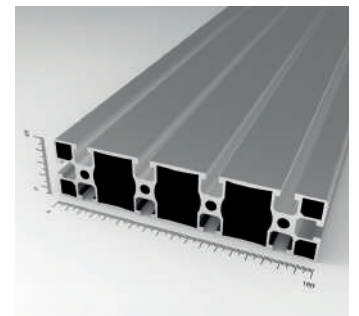
PC8459023		45x90	
Cod. caps	TC84590	Color	■
Cod. caps	TC84590G	Color	■



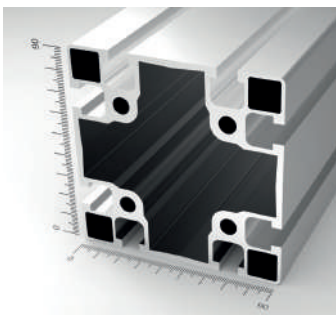
PC845120		45x120	
Cod. caps	TC84560 (2 PZ.)	Color	■
Cod. caps	TC84560G (2 PZ.)	Color	■



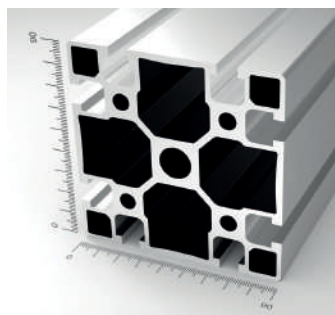
PC845135		45x135	
Cod. caps	TC84545 (3 PZ.)	Color	■
Cod. caps	TC84545G (3 PZ.)	Color	■



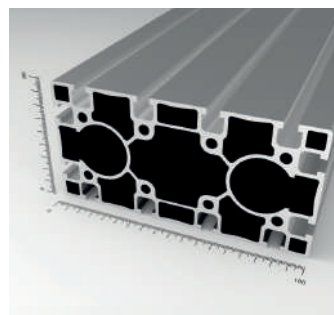
PC845180		45x180	
Cod. caps	TC84590 (2 PZ.)	Color	■
Cod. caps	TC84590G (2 PZ.)	Color	■



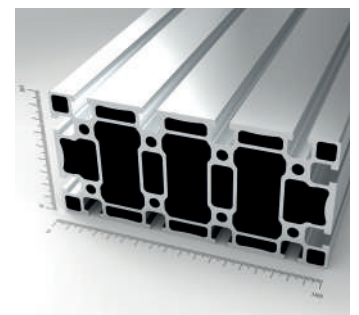
PC89090L		90x90	
Cod. caps	TC89090	Color	■
Cod. caps	TC89090G	Color	■



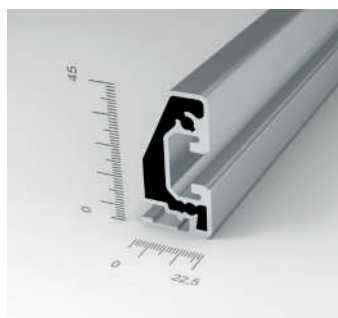
PC89090		90x90	
Cod. caps	TC89090	Color	■
Cod. caps	TC89090G	Color	■



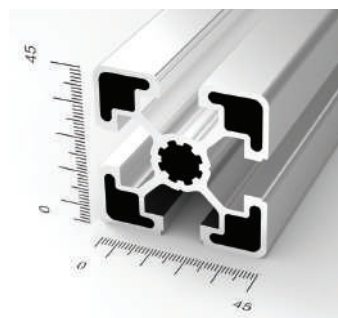
PC890180		90x180	
Cod. caps	TC89090 (2 PZ)	Color	■
Cod. caps	TC89090G (2 PZ)	Color	■



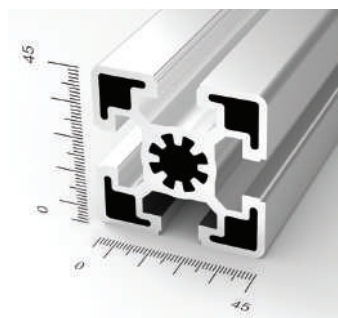
PC890180H		90x180	
Cod. caps	TC89090 (2 PZ)	Color	■
Cod. caps	TC89090G (2 PZ)	Color	■



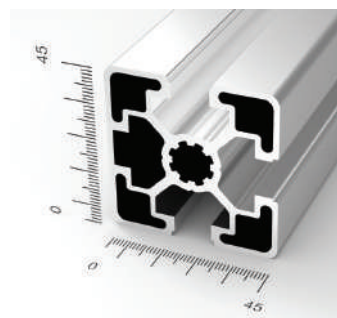
PMTA22545		22,5x45	
Cod. caps	-	Color	■
Cod. caps	-	Color	■



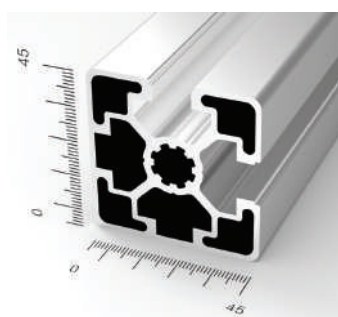
PM104545L		45x45	
Cod. caps	TM104545	Color	■
Cod. caps	TM104545G	Color	■



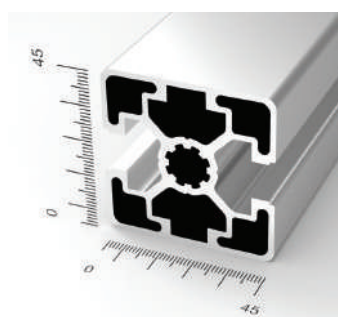
PM104545		45x45	
Cod. caps	TM104545	Color	■
Cod. caps	TM104545G	Color	■



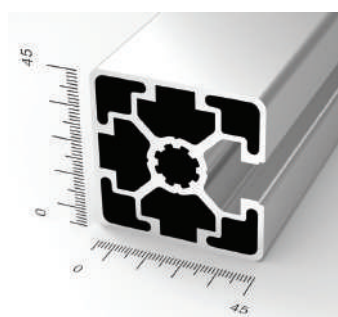
PM104545123		45x45	
Cod. caps	TM104545	Color	■
Cod. caps	TM104545G	Color	■



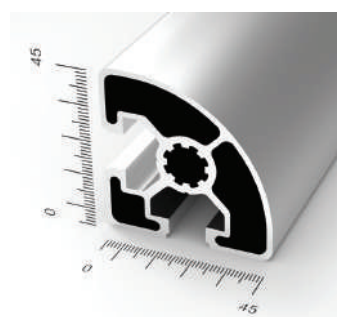
PM10454512		45x45	
Cod. caps	TM104545	Color	■
Cod. caps	TM104545G	Color	■



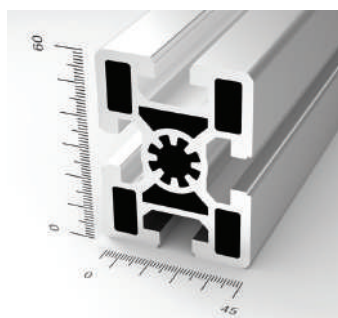
PM10454513		45x45	
Cod. caps	TM104545	Color	■
Cod. caps	TM104545G	Color	■



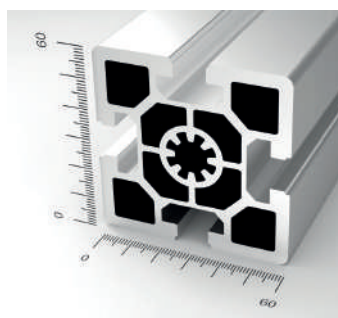
PM1045451		45x45	
Cod. caps	TM104545	Color	■
Cod. caps	TM104545G	Color	■



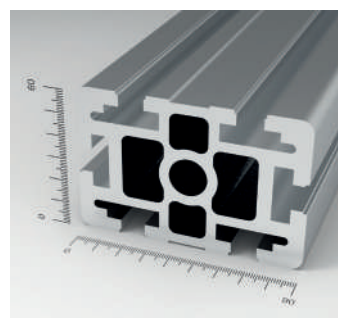
PM104545R23		45x45	
Cod. caps	-	Color	■
Cod. caps	-	Color	■



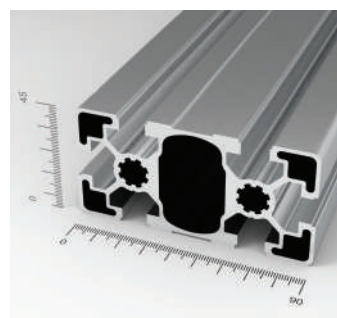
PM104560		45x60	
Cod. caps	TM104560	Color	■
Cod. caps	-	Color	■



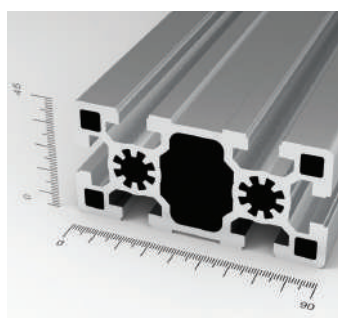
PM106060		60x60	
Cod. caps	TM106060	Color	■
Cod. caps	-	Color	■



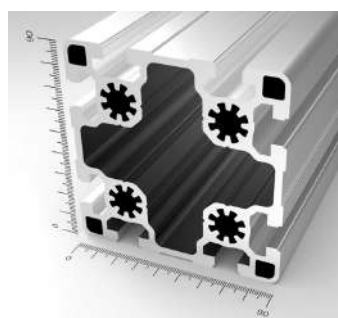
PM106090		60x90	
Cod. caps	-	Color	■
Cod. caps	-	Color	■



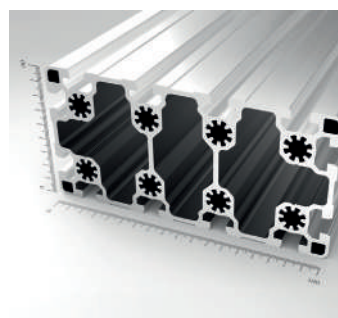
PM104590L		45x90	
Cod. caps	TM104590	Color	■
Cod. caps	TM104590G	Color	■



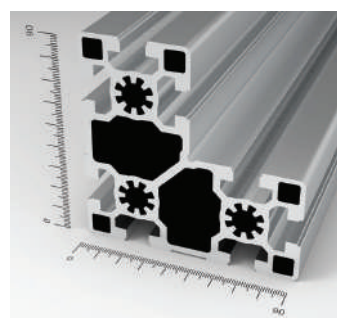
PM104590		45x90	
Cod. caps	TM104590	Color	■
Cod. caps	TM104590G	Color	■



PM109090		90x90	
Cod. caps	TM109090	Color	■
Cod. caps	TM109090G	Color	■



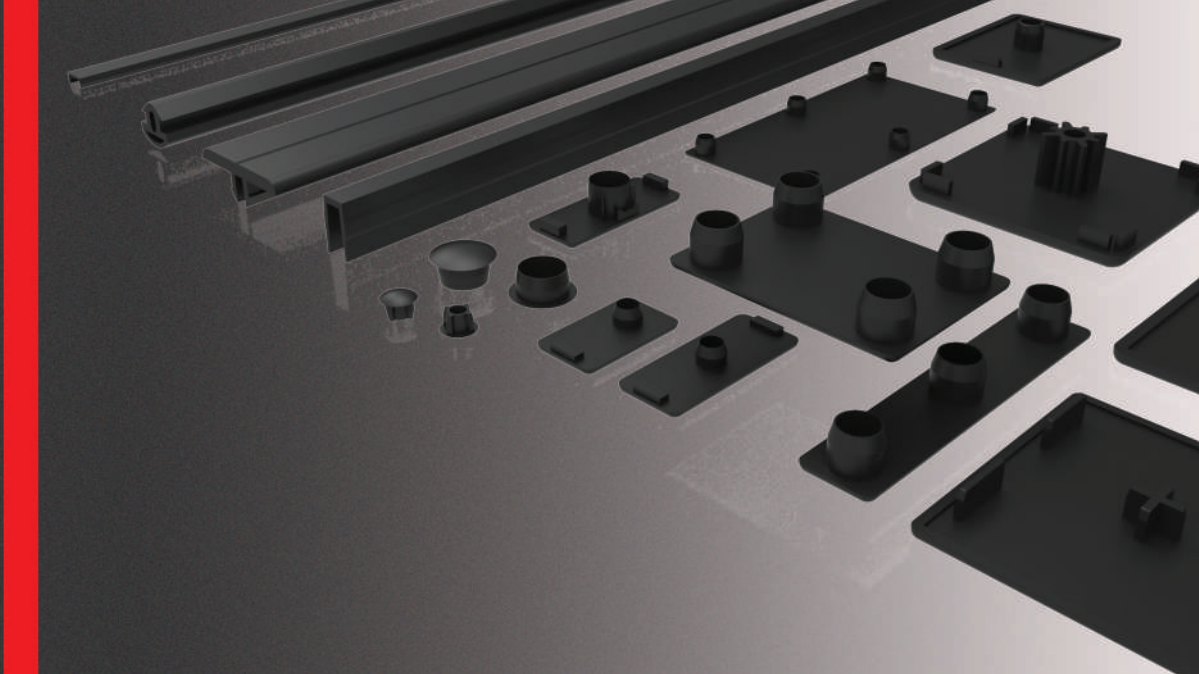
PM1090180		90x180	
Cod. caps	TM109090 x 2	Color	■
Cod. caps	TM109090G x 2	Color	■



PM10459090L		90x90	
Cod. caps	-	Color	■
Cod. caps	-	Color	■

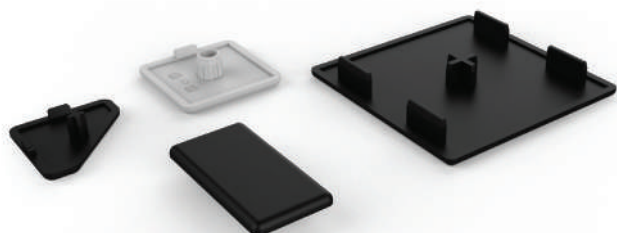
ACCESSORIES

C O V E R C A P S



In the brochure there are only some of the accessories available in the catalog.
The full version is available online by scanning the QR Code.

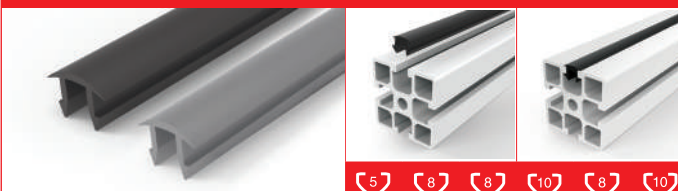


Plastic cap for profile


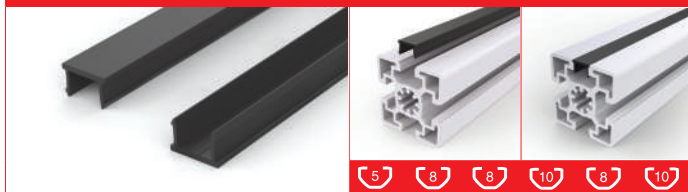
To view the codes, consult the previous section.

Cover profile rigid


	5	8	8	10	8	10
Code	20	30	40	40	45	45
TM520CR	■					
TC845CR					■	
TC845CRG					■	
TC845LCRG					■	

Cover profile semi rigid


	5	8	8	10	8	10
Code	20	30	40	40	45	45
TC845CM					■	
TC845CMG					■	

Cover profile rigid


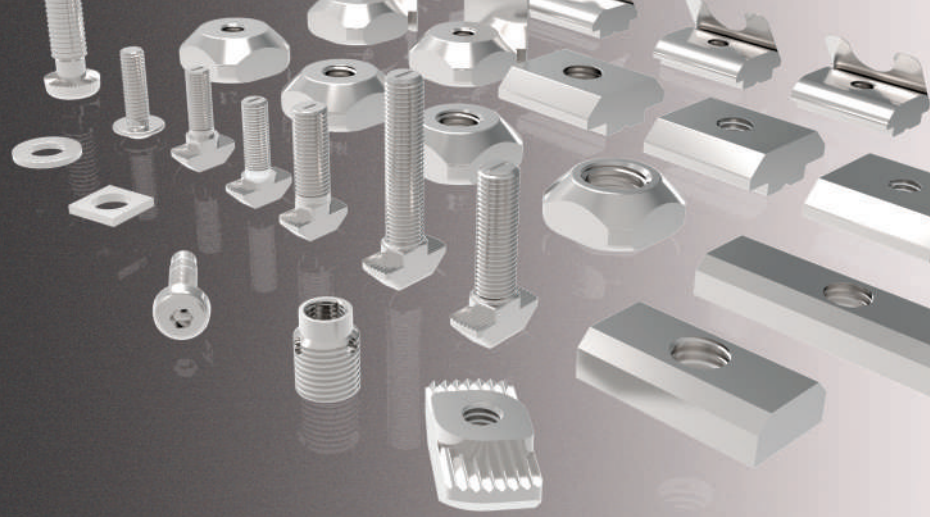
	5	8	8	10	8	10
Code	20	30	40	40	45	45
TM520CR	■					
TM830CR		■				
TM840CR			■			
TM1045CR				■		■

Cover profile in aluminium


	5	8	8	10	8	10
Code	20	30	40	40	45	45
TM830CA		■				
TM840CA			■		■	
TM1045CA				■		■

ACCESSORIES

F I X I N G S



In the brochure there are only some of the accessories available in the catalog.
The full version is available online by scanning the QR Code.



Lowered head screw

	5	8	8	10	8	10
Code	20	30	40	40	45	45
FVTR616	Yellow	Green	Red	Orange	Blue	Light Blue
FVTR620	Yellow	Green	Red	Orange	Blue	Light Blue
FVTR820	Yellow	Green	Red	Orange	Blue	Light Blue
FVTR822	Yellow	Green	Red	Orange	Blue	Light Blue

T-head screw

	5	8	8	10	8	10
Code	20	30	40	40	45	45
FVTM10820				Orange		Light Blue
FVTM10825				Orange		Light Blue
FVTM10830				Orange		Light Blue
FVTM10840				Orange		Light Blue

Self tapping screw

	5	8	8	10	8	10
Code	20	30	40	40	45	45
FVAM520S516	Yellow					
FVAM830S825		Green				
FVAM840S725			Red			
FVAM10S1230				Orange		Light Blue

Square nut

	5	8	8	10	8	10
Code	20	30	40	40	45	45
FDC84					Blue	
FDC85					Blue	
FDC86					Blue	
FDC88					Blue	

Square nut with spring

	5	8	8	10	8	10
Code	20	30	40	40	45	45
FDC84M					Blue	
FDC85M					Blue	
FDC86M					Blue	
FDC88M					Blue	

Rectangular nut

	5	8	8	10	8	10
Code	20	30	40	40	45	45
FDC8L1325					Blue	
FDC8L1340					Blue	
FDC8L1381					Blue	
FDC8L13180					Blue	

T-nut

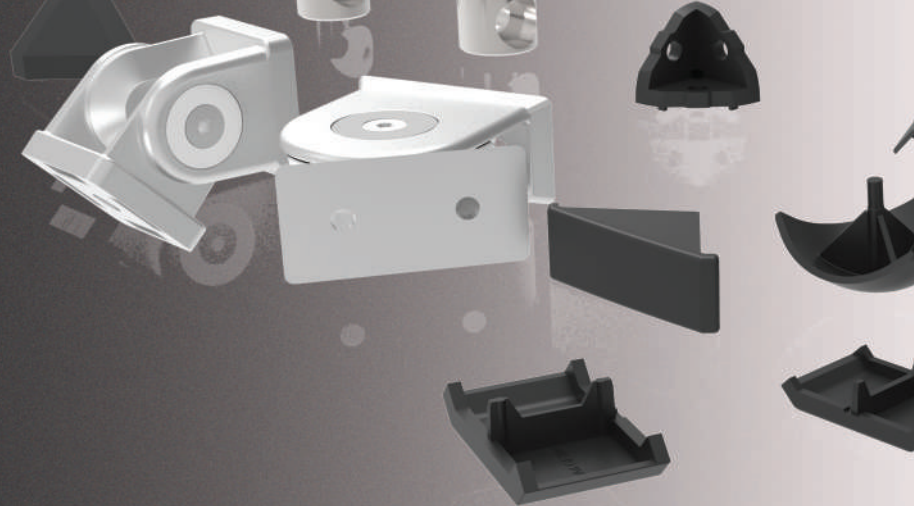
	5	8	8	10	8	10
Code	20	30	40	40	45	45
FDM104				Orange		Light Blue
FDM105				Orange		Light Blue
FDM106				Orange		Light Blue
FDM108				Orange		Light Blue

T-slot nut with ball

	5	8	8	10	8	10
Code	20	30	40	40	45	45
FDM8404S			Red			
FDM8405S			Red			
FDM8406S			Red			
FDM8408S			Red			

ACCESSORIES

CONNECTORS



In the brochure there are only some of the accessories available in the catalog.
The full version is available online by scanning the QR Code.



Linear connection joint

	5	8	8	10	8	10
Code	20	30	40	40	45	45
GLM830180						
GLC890						
GLC8180						
GLM10180						

Connection plate

	5	8	8	10	8	10
Code	20	30	40	40	45	45
GPU4590						
GPU45135						
GPU80160						
GPU90180						

Quick connector

	5	8	8	10	8	10
Code	20	30	40	40	45	45
GNCOC845						
GNCVC845						
GNCOM10						
GNCVM10						

Closing junction element with lock

	5	8	8	10	8	10
Code	20	30	40	40	45	45
GIFOC8						
GIFOM840						

Bracket

	5	8	8	10	8	10
Code	20	30	40	40	45	45
GSC82540						
GSC84545						
GSC84590						
GSC89090						

Anti-rotation bracket

	5	8	8	10	8	10
Code	20	30	40	40	45	45
GSM52020						
GSM83030						
GSM84040						
GSM84545						

Bracket caps

	5	8	8	10	8	10
Code	20	30	40	40	45	45
GTSM52020						
GTSM83030						
GTSM84040						
GTSM104545						

Joint

	5	8	8	10	8	10
Code	20	30	40	40	45	45
GSV4040						
GSV4545						
GSV4080						
GSV4590						

ACCESSORIES

S U P P O R T S



In the brochure there are only some of the accessories available in the catalog.
The full version is available online by scanning the QR Code.



Based foot						
	20	30	40	40	45	45
Code						
SBAP4040						
SBAP4545						

Based foot						
	20	30	40	40	45	45
Code						
SBAP8080						
SBAP9090						

Swivel wheel with plate						
	20	30	40	40	45	45
Code						
SRGP80P						
SRGP100P						
SRGP125P						

Swivel wheel with plate and brake						
	20	30	40	40	45	45
Code						
SRFGP80P						
SRFGP100P						
SRFGP125P						

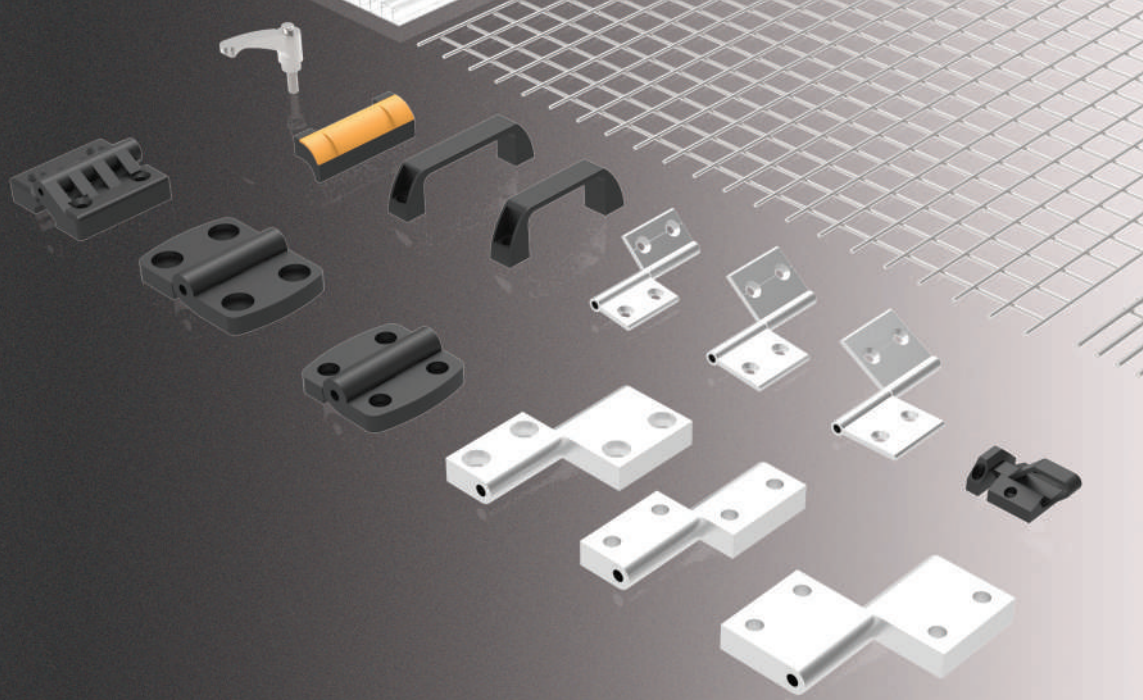
Fixed swivel with plate						
	20	30	40	40	45	45
Code						
SRFP80P						
SRFP100P						
SRFP125P						

Articulated support foot						
	20	30	40	40	45	45
Code						
SPPM865D50						
SPPM865D80						
SPPM1277D80						
SPPM1690D80						

Foot fixing plate						
	20	30	40	40	45	45
Code						
SPFM8408016						
SPFM8808016						
SPFM10909016						
SPFC8909016						

Foot fixing plate						
	20	30	40	40	45	45
Code						
SPFC8459016						
SPFM10459016						

ACCESSORIES COMPLEMENTI



In the brochure there are only some of the accessories available in the catalog.
The full version is available online by scanning the QR Code.



Plastic hinge						
	5	8	8	10	8	10
Code	20	30	40	40	45	45
CCEPI30		■				
CCEPI40			■	■		
CCEPI45					■	■

Aluminium hinge						
	5	8	8	10	8	10
Code	20	30	40	40	45	45
CCEAI30		■			■	
CCEAI3045		■			■	■
CCEAI40			■	■		
CCEAI45					■	■

Internal aluminium hinge						
	5	8	8	10	8	10
Code	20	30	40	40	45	45
CCIA2020	■					
CCIA3030		■				
CCIA4040			■	■		
CCIA4545					■	■

Bridge handle						
	5	8	8	10	8	10
Code	20	30	40	40	45	45
CMPA1	■	■	■	■	■	■
CMPA2	■	■	■	■	■	■
CMPA3	■	■	■	■	■	■

Couple of handle supports with aluminium tube						
	5	8	8	10	8	10
Code	20	30	40	40	45	45
CMPAD30	■	■	■	■	■	■
CTAAD30	■	■	■	■	■	■

Safety handle						
	5	8	8	10	8	10
Code	20	30	40	40	45	45
CMPCA	■	■	■	■	■	■
CMPCB	■	■	■	■	■	■
CMPCN	■	■	■	■	■	■

Handle with key lock						
	5	8	8	10	8	10
Code	20	30	40	40	45	45
CMSCH810		■	■	■	■	■

Door stop magnet support						
	5	8	8	10	8	10
Code	20	30	40	40	45	45
CSMFPA	■	■	■	■	■	■
CSMFPAS	■	■	■	■	■	■

Door stop with magnetic catch						
	5	8	8	10	8	10
Code	20	30	40	40	45	45
CMM18A	■	■	■	■	■	■
CDFP1	■	■	■	■	■	■

Slotted block						
	5	8	8	10	8	10
Code	20	30	40	40	45	45
CBAS1	■	■	■	■	■	■

Quick fixing block for panels						
	5	8	8	10	8	10
Code	20	30	40	40	45	45
CBRFPM830		■				
CBRFPC8			■		■	
CBRFPM10				■		■

Support kit security panels						
	5	8	8	10	8	10
Code	20	30	40	40	45	45
CKSPC845					■	

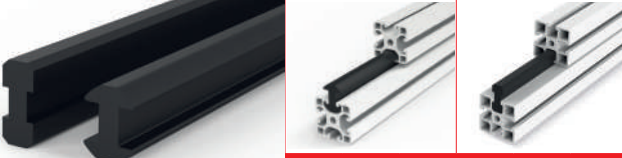
Quick fixing for removable panels						
	5	8	8	10	8	10
Code	20	30	40	40	45	45
CBEC8DX					■	
CBEC8SX					■	

Polizene sliding skate kit						
	5	8	8	10	8	10
Code	20	30	40	40	45	45
CPSC845					■	
CPSC845L					■	


Sliding skate kit with bearing						
	5	8	8	10	8	10
Code	20	30	40	40	45	45
CPSCCD13					■	

Polizene universal profiles						
	5	8	8	10	8	10
Code	20	30	40	40	45	45
CPUH25C8					■	
CPUH32C8					■	
CPUH40C8					■	
CPUH28M840			■			

Polizene universal profiles

	5	8	8	10	8	10
	20	30	40	40	45	45
Code						
CPUH32C845D					■	
CPUH28M840D			■			


Multifunctional profile with quick mounting

	5	8	8	10	8	10
	20	30	40	40	45	45
Code						
CPUH30C8P					■	


Aluminum duct cable gland

	5	8	8	10	8	10
	20	30	40	40	45	45
Code						
CC4040	■	■	■	■	■	■
CC6060	■	■	■	■	■	■
CC8080	■	■	■	■	■	■


Trailerable structures bracket

	5	8	8	10	8	10
	20	30	40	40	45	45
Code						
CSTSCF			■	■	■	■

Utensils support

	5	8	8	10	8	10
	20	30	40	40	45	45
Code						
CSUD100810	■	■	■	■	■	■


Articulated monitor support

	5	8	8	10	8	10
	20	30	40	40	45	45
Code						
CSMV75100	■	■	■	■	■	■

Gasket for panels

	5	8	8	10	8	10
	20	30	40	40	45	45
Code						
CGSP3			■		■	
CGSP4			■		■	
CGSP5			■	■	■	■

Profile reduction slot

	5	8	8	10	8	10
	20	30	40	40	45	45
Code						
CPPRC8			■		■	

LEAN MANUFACTURING



In the brochure there are only some of the accessories available in the catalog.
The full version is available online by scanning the QR Code.




Tubular profile



Code
LPD28L

Tubular profile



Code
LPA28L

Tubular profile




Code
LPD28F

Corner 90°



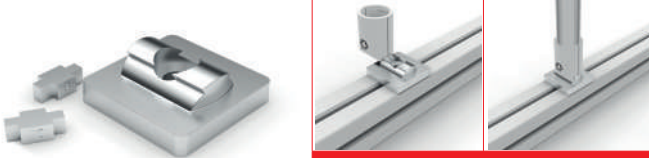
Code
LC9028



Corner connector



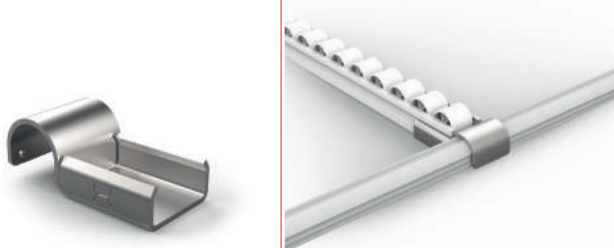
Code
LGA9028

Profile adapter series 45




	5	8	8	10	8	10
Code	20	30	40	40	45	45
LAP45CD28						

Simple roller support



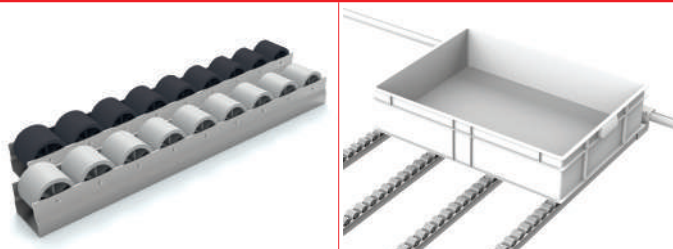
Code
LGRFS28

High fixed roller support



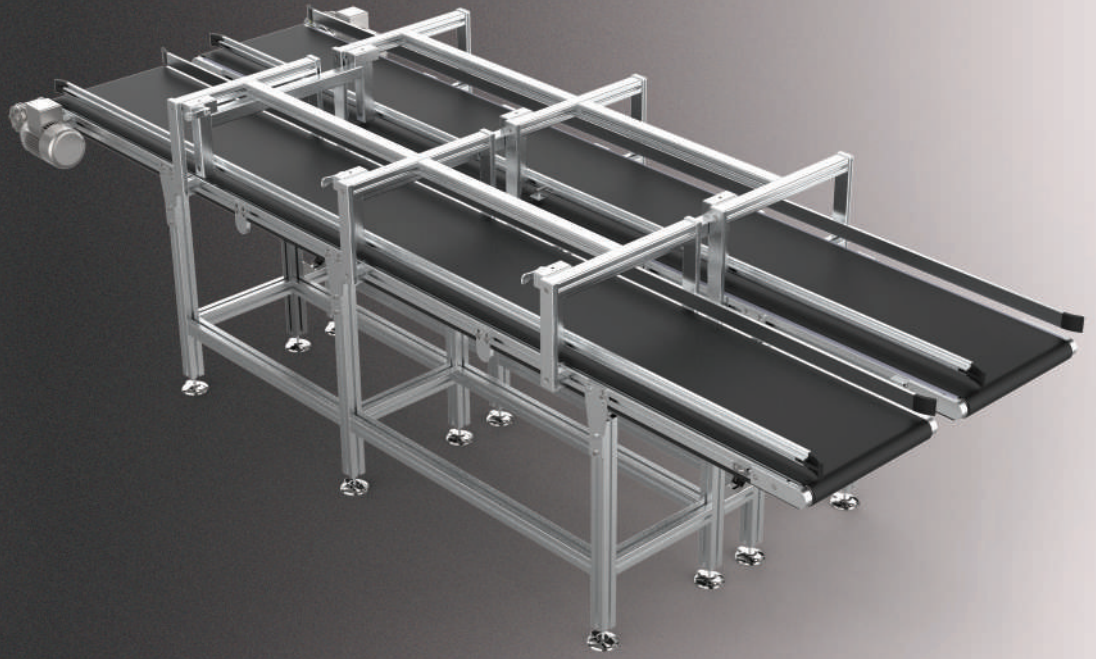
Code
LGRFA28

Modular roller conveyor



Code
LRGP33
LRNP33R

CONVEYORS BELTS



In the brochure there are only some of the accessories available in the catalog.
The full version is available online by scanning the QR Code.

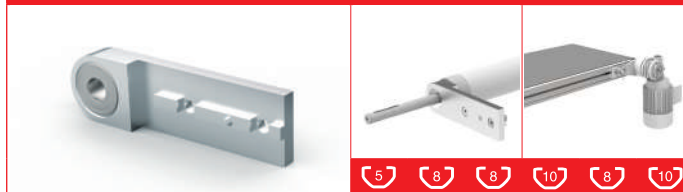


Profile for making rollers Ø50




Code	NPRCD50					
-------------	----------------	--	--	--	--	--

Direct drive flange for rollers Ø50



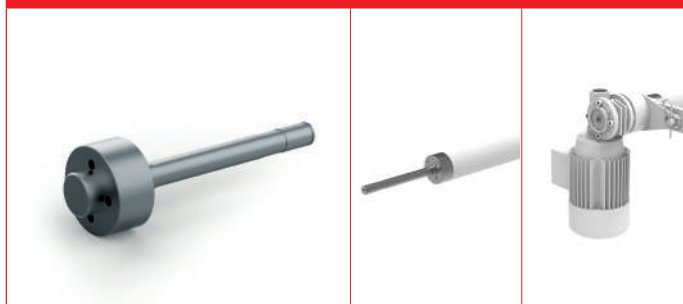
	5	8	8	10	8	10
Code	20	30	40	40	45	45
NFDMCCD5030					■	

Return flange for rollers Ø50



	5	8	8	10	8	10
Code	20	30	40	40	45	45
NFDRCCD50					■	

Terminal for rollers Ø50 on the VF30P motor side



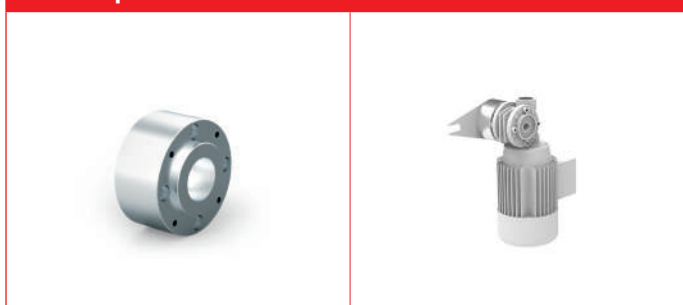
Code	NTSD50M30					
-------------	------------------	--	--	--	--	--

Return terminal for rollers Ø50



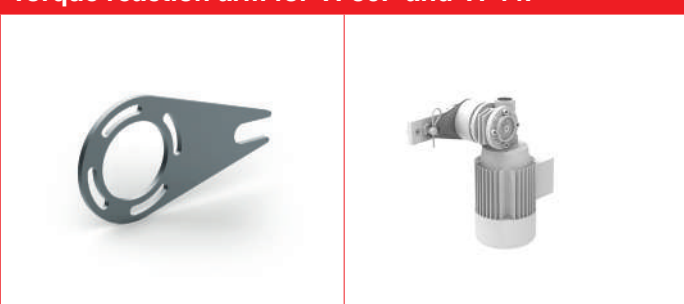
Code	NTSD50F					
-------------	----------------	--	--	--	--	--

Direct spacer for VF30P and VF44P



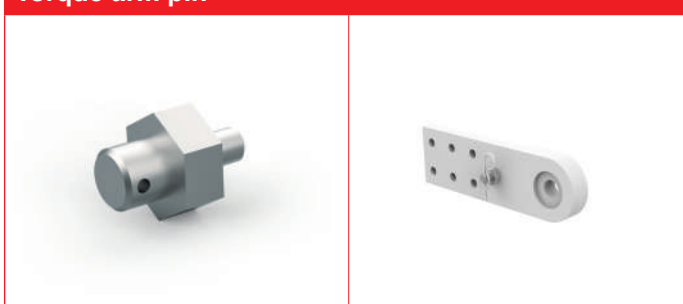
Code	NDDVF3044					
-------------	------------------	--	--	--	--	--

Torque reaction arm for VF30P and VF44P






Code	NBDM3044					
-------------	-----------------	--	--	--	--	--

Torque arm pin






Code	NPBRD5095					
-------------	------------------	--	--	--	--	--

Direct drive flange for belts L=32 Ø50

						
	5	8	8	10	8	10
Code	20	30	40	40	45	45
NFDMACD5030					■	

Return flange for belts L=32 Ø50

						
	5	8	8	10	8	10
Code	20	30	40	40	45	45
NFDRACD50					■	

Drive pulley AT10/18

						
	Code					
NPAT101825						

Shaft on the VF30P motor side

						
	Code					
NPCD5025M30						

Shaft on the return for belts L=32

						
	Code					
NPCD5025R						

Shaft on the return on elastic joint for belts L=32

						
	Code					
NPCD5025G						

Elastic joint


						
	Code					
NGED501414						

Guide profiles for belts L=32 mm


						
	5	8	8	10	8	10
Code	20	30	40	40	45	45
NPPGCC845					■	
NPPGCSC845					■	
NPPSCC845					■	

Profile for making rollers Ø95


Code
NPRCD95

Direct drive flange for rollers Ø95


	5	8	8	10	8	10
Code	20	30	40	40	45	45
NFDMCCD95					■	

Return flange for rollers Ø95


	5	8	8	10	8	10
Code	20	30	40	40	45	45
NFDRCCD95					■	

Terminal for rollers Ø95


Code
NTSD95F

Motor side pin for rollers Ø95

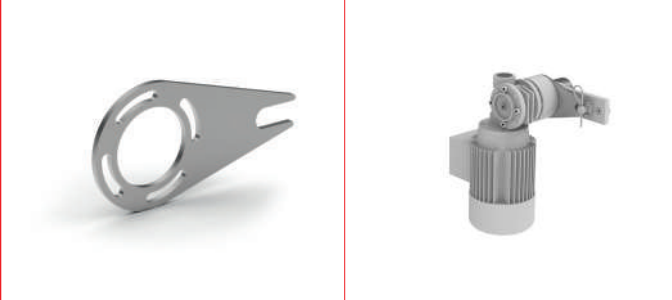

Code
NPM44D95

Return side pin for rollers Ø95





Code
NPFD95




Direct spacer for VF44P





Code
NDDVF3044




Torque reaction arm for VF44P


Code
NBDM3044

Direct drive flange for belts L=32 Ø95						
						
	5	8	8	10	8	10
Code	20	30	40	40	45	45
NFDMACD95						

Return flange for belts L=32 Ø95						
						
	5	8	8	10	8	10
Code	20	30	40	40	45	45
NFDRACD95						

Drive pulley AT10/32		
		
Code		
NPAT103225		

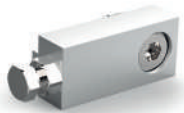

Shaft on the VF44P motor side		
		
Code		
NPCD9525M44		


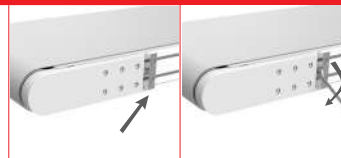
Shaft on the return for belts L=32		
		
Code		
NPCD9525R		



Shaft on the return on elastic joint for belts L=32		
		
Code		
NPCD9525G		



Elastic joint	
	
Code	
NGEM951825	
NGEM952525	



Guide profiles for belts L=32 mm						
						
	5	8	8	10	8	10
Code	20	30	40	40	45	45
NPPGCC845						
NPPGCSC845						
NPPSCC845						



Tensioners for transmission group Ø50						
	5	8	8	10	8	10
						
Code	20	30	40	40	45	45
NGTND50					<input checked="" type="checkbox"/>	



Tensioners for transmission group Ø95						
	5	8	8	10	8	10
						
Code	20	30	40	40	45	45
NGTND95					<input checked="" type="checkbox"/>	



Belt fabric support profile						
	5	8	8	10	8	10
						
Code	20	30	40	40	45	45
NPPSTNAC8					<input checked="" type="checkbox"/>	

Containment guide support						
	5	8	8	10	8	10
						
Code	20	30	40	40	45	45
NSGCLH100					<input checked="" type="checkbox"/>	

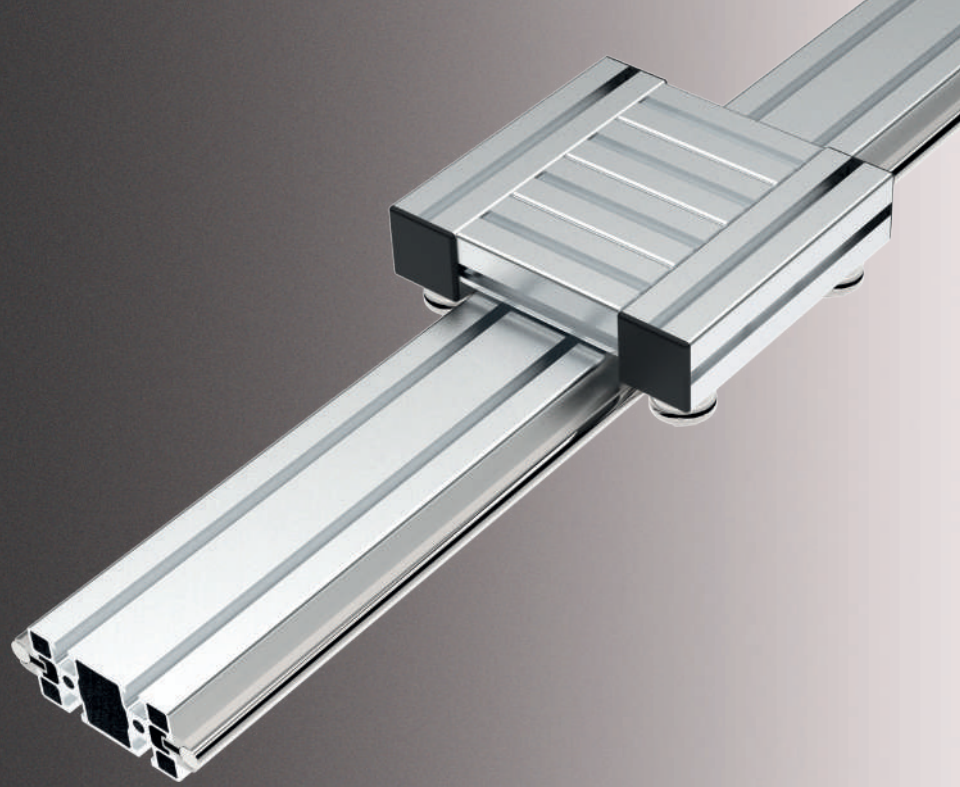
Support bar for containment guide						
	5	8	8	10	8	10
						
Code	20	30	40	40	45	45
NBSGL110					<input checked="" type="checkbox"/>	
NBSGL160					<input checked="" type="checkbox"/>	

Containment guide						
	5	8	8	10	8	10
						
Code	20	30	40	40	45	45
NGDCH40B					<input checked="" type="checkbox"/>	
NGDCH40V					<input checked="" type="checkbox"/>	

Belt support plate						
	5	8	8	10	8	10
						
Code	20	30	40	40	45	45
NPGF45					<input checked="" type="checkbox"/>	

Belt support plate						
	5	8	8	10	8	10
						
Code	20	30	40	40	45	45
NPGF90					<input checked="" type="checkbox"/>	



LINEAR SYSTEMS





In the brochure there are only some of the accessories available in the catalog.
The full version is available online by scanning the QR Code.





Aluminum profile trolley guide with bearing

							
		5	8	8	10	8	10
Code		20	30	40	40	45	45
LCGC3045			■	■	■	■	■

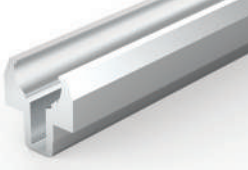


Sliding trolley with carabiner

							
		5	8	8	10	8	10
Code		20	30	40	40	45	45
LCSB15M			■	■	■	■	■

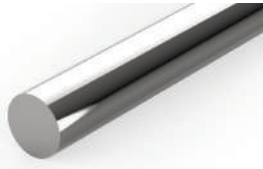

Cushioned stop kit for sliding trolley

							
		5	8	8	10	8	10
Code		20	30	40	40	45	45
LFGC30			■	■	■	■	■

Support profile for guide rod

								
			5	8	8	10	8	10
Code			20	30	40	40	45	45
LPSTD12							■	

Guide rod Ø 12

							
		5	8	8	10	8	10
Code		20	30	40	40	45	45
LTACD12						■	

Bearing for sliding guides

							
Code							
LRD3512							

Concentric bearing support pin

							
Code							
LPCRD35							

Eccentric bearing support pin

							
Code							
LPERD35							



Alea Sistemi srl
Corso C. G. Allamano No. 143/E - 10098 Rivoli (TO) - Italy
Tel +39 011 9591446 - Tel +39 011 9593509
www.aleasistemi.com - info@aleasistemi.com

